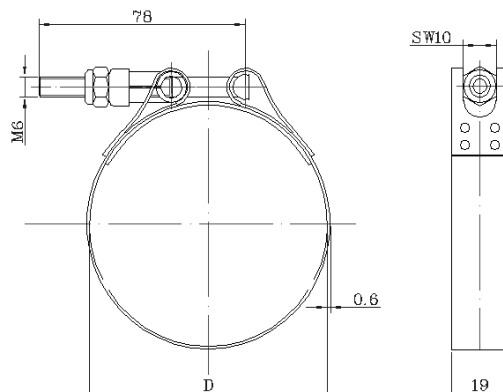


T-Bolt Standard



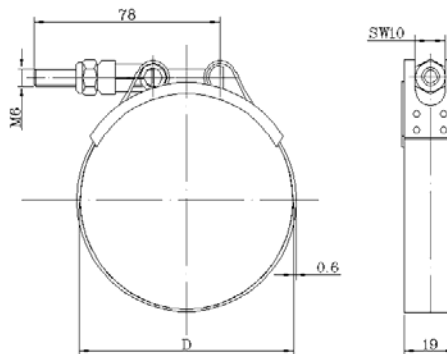
SAE Sizes	Part No.	CLAMPING RANGE				Torque N. m	pack pcs/bag	kg per 100 pcs
		inch		mm				
		Min	Max	Min	Max			
-	301 0386	1.38	1.52	35.1	38.6	8.5		
-	301 0417	1.50	1.64	38.1	41.7	8.5		
-	301 0460	1.63	1.81	41.4	46.0	8.5		
28	301 0508	1.75	2.00	44.5	50.8	8.5		
32	301 0556	1.88	2.19	47.8	55.6	8.5		
36	301 0587	2.00	2.31	50.8	58.7	8.5		
40	301 0620	2.13	2.44	54.1	62.0	8.5		
44	301 0650	2.25	2.56	57.2	65.0	8.5		
48	301 0683	2.38	2.69	60.5	68.3	8.5		
52	301 0714	2.50	2.81	63.5	71.4	8.5		
56	301 0747	2.63	2.94	66.8	74.7	8.5		
60	301 0777	2.75	3.06	69.9	77.7	8.5		
64	301 0810	2.88	3.19	73.2	81.0	8.5		
68	301 0841	3.00	3.31	76.2	84.1	8.5		
72	301 0874	3.13	3.44	79.5	87.4	8.5		
76	301 0904	3.25	3.56	82.6	90.4	8.5		
80	301 0937	3.38	3.69	85.9	93.7	8.5		
84	301 0968	3.50	3.81	88.9	96.8	8.5		
88	301 1001	3.63	3.94	92.2	100.1	8.5		
92	301 1031	3.75	4.06	95.3	103.1	8.5		
100	301 1095	4.00	4.31	101.6	109.5	8.5		
108	301 1158	4.25	4.56	108.0	115.8	8.5		
116	301 1222	4.50	4.81	114.3	122.2	8.5		
124	301 1285	4.75	5.06	120.7	128.5	8.5		
132	301 1349	5.00	5.31	127.0	134.9	8.5		
140	301 1412	5.25	5.56	133.4	141.2	8.5		
148	301 1476	5.50	5.81	139.7	147.6	8.5		
156	301 1539	5.75	6.06	146.1	153.9	8.5		
164	301 1603	6.00	6.31	152.4	160.3	8.5		
172	301 1666	6.25	6.56	158.8	166.6	8.5		
180	301 1730	6.50	6.81	165.1	173.0	8.5		

Want to know more specification ,please contact hozu auto parts CO.,LTD

Heavy Duty

HOZU昊洲汽配

T-Bolt Channel Bridge

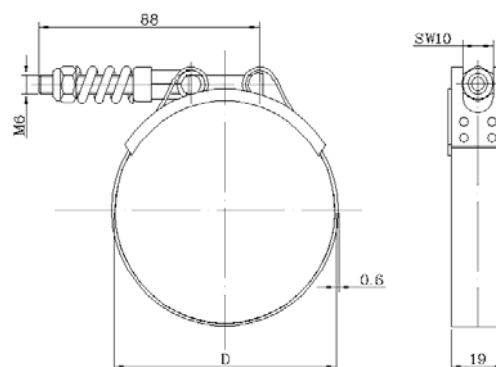


SAE Sizes	Part No.	CLAMPING RANGE				Torque N. m	pack pcs/bag	kg per 100 pcs
		inch		mm				
		Min	Max	Min	Max			
-	302 0386	1.38	1.52	35.1	38.6	8.5		
-	302 0417	1.50	1.64	38.1	41.7	8.5		
-	302 0460	1.63	1.81	41.4	46.0	8.5		
28	302 0508	1.75	2.00	44.5	50.8	8.5		
32	302 0556	1.88	2.19	47.8	55.6	8.5		
36	302 0587	2.00	2.31	50.8	58.7	8.5		
40	302 0620	2.13	2.44	54.1	62.0	8.5		
44	302 0650	2.25	2.56	57.2	65.0	8.5		
48	302 0683	2.38	2.69	60.5	68.3	8.5		
52	302 0714	2.50	2.81	63.5	71.4	8.5		
56	302 0747	2.63	2.94	66.8	74.7	8.5		
60	302 0777	2.75	3.06	69.9	77.7	8.5		
64	302 0810	2.88	3.19	73.2	81.0	8.5		
68	302 0841	3.00	3.31	76.2	84.1	8.5		
72	302 0874	3.13	3.44	79.5	87.4	8.5		
76	302 0904	3.25	3.56	82.6	90.4	8.5		
80	302 0937	3.38	3.69	85.9	93.7	8.5		
84	302 0968	3.50	3.81	88.9	96.8	8.5		
88	302 1001	3.63	3.94	92.2	100.1	8.5		
92	302 1031	3.75	4.06	95.3	103.1	8.5		
100	302 1095	4.00	4.31	101.6	109.5	8.5		
108	302 1158	4.25	4.56	108.0	115.8	8.5		
116	302 1222	4.50	4.81	114.3	122.2	8.5		
124	302 1285	4.75	5.06	120.7	128.5	8.5		
132	302 1349	5.00	5.31	127.0	134.9	8.5		
140	302 1412	5.25	5.56	133.4	141.2	8.5		
148	302 1476	5.50	5.81	139.7	147.6	8.5		
156	302 1539	5.75	6.06	146.1	153.9	8.5		
164	302 1603	6.00	6.31	152.4	160.3	8.5		
172	302 1666	6.25	6.56	158.8	166.6	8.5		
180	302 1730	6.50	6.81	165.1	173.0	8.5		

Want to know more specification ,please contact hozu auto parts CO.,LTD

<http://www.cnhozu.com> E-mail: hozu@cnhozu.com Tel:0577-65353877 Fax:0577-65396876

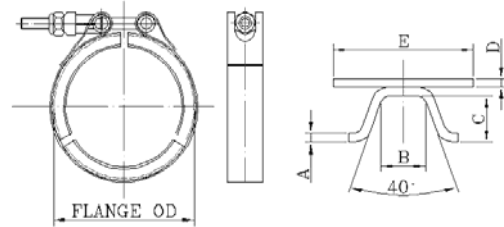
T-Bolt Spring Loaded



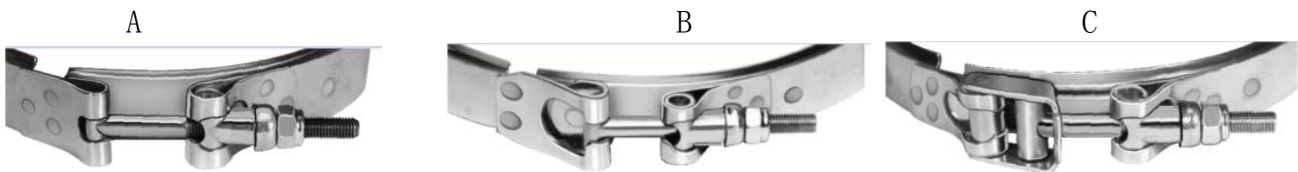
SAE Sizes	Part No.	CLAMPING RANGE				Torque N. m	pack pcs/bag	kg per 100 pcs
		inch		mm				
		Min	Max	Min	Max			
70	303 0857	3.06	3.37	77.8	85.7			
86	303 0984	3.56	3.87	90.5	98.4			
102	303 1111	4.06	4.37	103.2	111.1			
118	303 1238	4.56	4.87	115.9	123.8			

Want to know more specification ,please contact hozu auto parts CO,.LTD

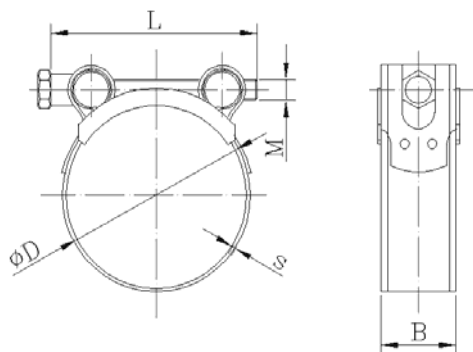
V-Band Clamp/Couplings



V-Bands seal connections for flanged joints. Typical applications include filter housings, turbocharger systems, exhaust systems and industrial applications where a flanged connection is required. V-inserts can be manufactured to OE specifications and are made to order. Send full specifications for quotes. Contact Hozu with your special requirements or use the Request a Quote feature to upload your drawing and specifications.



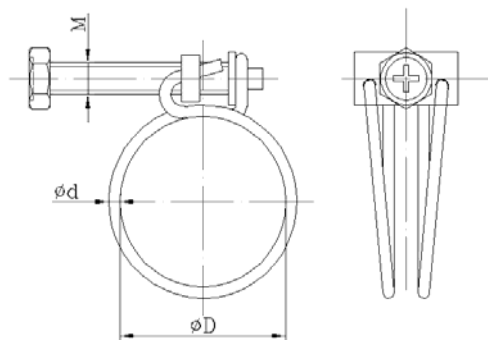
Barrel Hardware



SAE Sizes	Part No.	CLAMPING RANGE				B (mm)	S				Bolt M*L	Torque (N. m)	pack pcs/bag	kg per 100 pcs
		inch		mm			W1 (mm)	W2 (mm)	W3 (mm)	W4 (mm)				
		Min	Max	Min	Max									
19	305 019	0.67	0.75	17	19	18	0.6	0.4	M5*40	5				
22	305 022	0.79	0.87	20	22	18	0.6	0.4	M5*40	5				
25	305 025	0.91	0.98	23	25	18	0.6	0.6	M5*40	5				
28	305 028	1.02	1.10	26	28	18	0.6	0.6	M5*40	5				
31	305 031	1.14	1.22	29	31	20	0.8	0.6	M6*50	15				
35	305 035	1.26	1.38	32	35	20	0.8	0.6	M6*50	15				
39	305 039	1.42	1.54	36	39	20	0.8	0.6	M6*50	15				
43	305 043	1.57	1.69	40	43	20	0.8	0.6	M6*50	15				
47	305 047	1.73	1.85	44	47	22	1.2	0.8	M6*60	15				
51	305 051	1.89	2.01	48	51	22	1.2	0.8	M6*60	15				
55	305 055	2.05	2.17	52	55	22	1.2	0.8	M6*60	15				
59	305 059	2.20	2.32	56	59	22	1.2	0.8	M6*60	15				
63	305 063	2.36	2.48	60	63	22	1.2	0.8	M6*60	25				
67	305 067	2.52	2.64	64	67	22	1.2	0.8	M8*70	25				
73	305 073	2.68	2.87	68	73	24	1.5	0.8	M8*70	25				
79	305 079	2.91	3.11	74	79	24	1.5	0.8	M8*70	25				
85	305 085	3.15	3.35	80	85	24	1.5	0.8	M8*75	25				
91	305 091	3.39	3.58	86	91	24	1.5	0.8	M8*75	25				
97	305 097	3.62	3.82	92	97	24	1.5	0.8	M8*75	25				
103	305 103	3.86	4.06	98	103	24	1.5	0.8	M8*80	25				
112	305 112	4.09	4.41	104	112	24	1.5	0.8	M8*80	25				
121	305 121	4.45	4.76	113	121	24	1.5	0.8	M8*80	25				
130	305 130	4.80	5.12	122	130	24	1.5	0.8	M8*80	25				
139	305 139	5.16	5.47	131	139	26	1.7	1.0	M10*105	40				
148	305 148	5.51	5.83	140	148	26	1.7	1.0	M10*105	40				
161	305 161	5.87	6.34	149	161	26	1.7	1.0	M10*105	40				
174	305 174	6.38	6.85	162	174	26	1.7	1.0	M10*105	40				
184	305 184	6.89	7.24	175	184	26	1.7	1.0	M10*120	40				
200	305 200	7.40	7.87	188	200	26	1.7	1.0	M10*120	40				
213	305 213	7.91	8.39	201	213	26	1.7	1.0	M10*120	40				
226	305 226	8.43	8.90	214	226	26	1.7	1.0	M10*120	40				
239	305 239	8.94	9.41	227	239	26	1.7	1.0	M10*120	40				
252	305 252	9.45	9.92	240	252	26	1.7	1.0	M10*120	40				

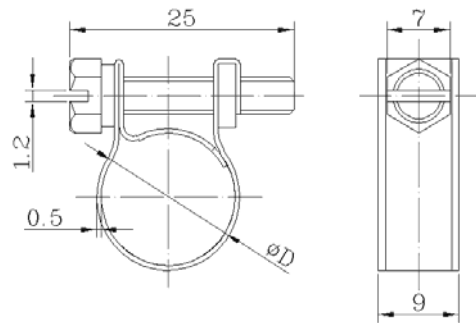
Want to know more specification ,please contact hozu auto parts CO.,LTD

Double wire clamp



SAE Sizes	Part No.	d (mm)	Bolt (mm)	CLAMPING RANGE				Torque (N.m)	pack pcs/bag	kg per 100 pcs
				inch		mm				
				Min	Max	Min	Max			
14	306 011014	1.5	M5*30	0.43	0.55	11	14	5		
16	306 013016	1.5	M5*30	0.51	0.63	13	16	5		
18	306 015018	1.5	M5*30	0.59	0.71	15	18	5		
20	306 017020	1.8	M5*30	0.67	0.79	17	20	5		
22	306 011922	1.8	M5*30	0.75	0.87	19	22	5		
24	306 020024	1.8	M5*30	0.79	0.94	20	24	5		
26	306 022026	1.8	M5*30	0.87	1.02	22	26	5		
28	306 024028	1.8	M5*30	0.94	1.10	24	28	5		
30	306 026030	2.2	M6*40	1.02	1.18	26	30	15		
32	306 028032	2.2	M6*40	1.10	1.26	28	32	15		
35	306 031035	2.2	M6*40	1.22	1.38	31	35	15		
38	306 034038	2.2	M6*40	1.34	1.50	34	38	15		
40	306 035040	2.2	M6*40	1.38	1.57	35	40	15		
42	306 037042	2.2	M6*40	1.46	1.65	37	42	15		
45	306 040045	2.2	M6*40	1.57	1.77	40	45	15		
48	306 043048	2.2	M6*50	1.69	1.89	43	48	15		
50	306 045050	2.2	M6*50	1.77	1.97	45	50	15		
52	306 047052	2.2	M6*50	1.85	2.05	47	52	15		
55	306 050055	2.2	M6*50	1.97	2.17	50	55	15		
58	306 053058	2.2	M6*50	2.09	2.28	53	58	15		
60	306 055060	2.2	M6*60	2.17	2.36	55	60	15		
62	306 054062	2.2	M6*60	2.13	2.44	54	62	15		
65	306 060065	2.2	M6*60	2.36	2.56	60	65	15		
68	306 063068	2.2	M6*60	2.48	2.68	63	68	15		
70	306 065070	2.2	M6*70	2.56	2.76	65	70	15		
75	306 070075	2.2	M6*70	2.76	2.95	70	75	15		
80	306 075080	2.2	M6*70	2.95	3.15	75	80	15		
85	306 080085	2.2	M6*70	3.15	3.35	80	85	15		
90	306 084090	2.2	M6*70	3.31	3.54	84	90	15		
95	306 089095	2.2	M6*70	3.50	3.74	89	95	15		
100	306 094100	2.2	M6*80	3.70	3.94	94	100	15		
105	306 098105	2.2	M6*80	3.86	4.13	98	105	15		
110	306 103110	2.2	M6*80	4.06	4.33	103	110	15		
115	306 108115	2.2	M6*80	4.25	4.53	108	115	15		

Mini type



SAE Sizes	Part No.	CLAMPING RANGE				pack pcs/bag	kg per 100 pcs
		inch		mm			
		Min	Max	Min	Max		
4	202 011013	7/16	1/2	11.0	13.0		
6	202 013015	1/2	9/16	13.0	15.0		
8	202 014016	9/16	5/8	14.0	16.0		

Want to know more specification ,please contact hozu auto parts CO,.LTD